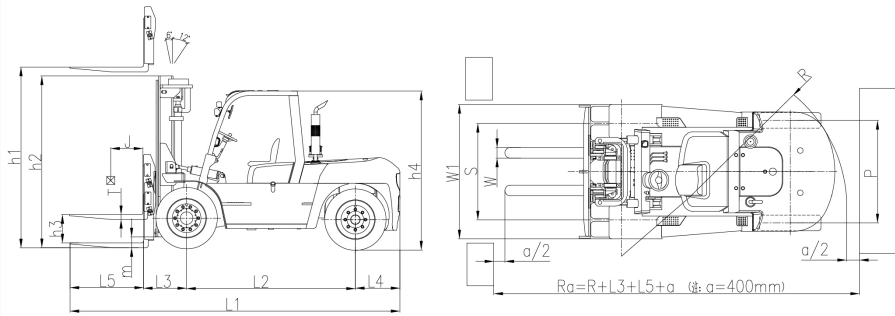
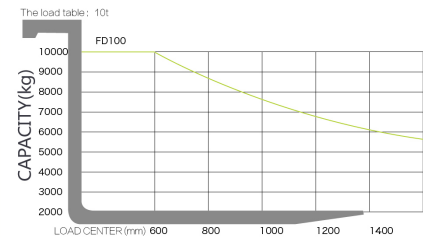


ZOOMLION

Machine 2D graph



CAPACITY CHART



Specification of Optional Engine

Model	Rated Power/Speed	Rated torque	Displacement
-	(kW/r.p.m)	(N · m/r.p.m)	(L)
XiChai CA6110	83/2000	450/1450	7.127
ISUZU 6BG1QC-02	82.4/2000	416.8/1500	6.494
MITSUBISHI S6K-T	82.4/2000	500/1200	6.37
PERKINS 1104D-44TA	83/2200	418/1400	4.4



FD100 DIESEL FORKLIFT



☎ 010 0010 699 (Int. +27100010699)
 ✉ info@zoomhandling.co.za
 🏠 No 92 | Cnr Dale & Pretorius Rd
 President Park | Midrand | Gauteng
 🌐 www.zoomhandling.co.za

ZOOMLION



■ TECHNICAL FEATURES

Safe & Reliable

- Engine is with large torque and capacity, which is powerful and can meet different operation demands;
- Lifting system is equipped with up and down buffer cylinders, which reduce shock and vibration efficiently;
- The forklifts are nice in appearance with streamline design. They work stably with high efficiency and good grade ability and can be operated in bad working conditions;

Comfort & Practical

- Scientific ergonomic design makes operation more portable and comfortable.
- Seat and backrest are adjustable. Steering wheel tilt angle is also adjustable, which leaves more legroom. The portable gearshift is quick to shift and easy to operate;
- Reinforced mast with wide view design improves efficiency and safety, meanwhile enhances anti-force capacity.

M WIDE VIEW STANDARD MAST						
Lifting Height	Capacity	Maximum lift height	Forks landing	Height with Backrest	Free lifting height	Mast Tilt angle F/R
mm	kg	mm	mm	mm	mm	°
3000	10000	3000	2850	4335	220	6/12
3500	10000	3500	3100	4835	220	6/12
4000	9500	4000	3450	5335	220	6/12
4500	9500	4500	3700	5835	220	6/12
5000	9000	5000	3950	6335	220	6/6
5500	8000	5500	4250	6835	220	3/6
6000	7500	6000	4500	7335	220	3/6

■ DIESEL FORKLIFT FD100

FEATURES		FD100	
Power	—	Diesel	
Rated Capacity	kg	10000	
Center of load	J(mm)	600	
Lifting height	h1(mm)	3000	
Free lifting height	h3(mm)	220	
Forks L×W×H	L5xWxT(mm)	1220×175×80	
Tilt Forward/Backward	°	6/12	
Min.turning radius	R(mm)	4280	
Min.Right Angle Aisle Width	Rb(mm)	3514	
Min.ground clearance(Mast)	Ra(mm)	6615	
ground clearance(Mast)	m(mm)	250	
Overhead guard height	h4(mm)	2600	
Front overhang	L3(mm)	715	
Rear overhang	L4(mm)	740	
PERFORMANCE			
Max.traveling speed(loaded)	km/h	20	
Max.lifting speed(loaded/empty)	mm/s	290/350	
Drawbar pull	kN	57	
Gradeability	%	20	
SIZE			
Overall length (with fork)	L1 (mm)	5475	
Overall width	W1 (mm)	2230	
Mast lowered height	h2(mm)	4335	
Mast extended height	mm	2850	
CHASSIS			
Tire Front	—	9.00-20-14PR	
Tire Rear	—	9.00-20-14PR	
Wheelbase	L2(mm)	2800	
Tread width(Front/Rear)	S/P(mm)	1600/1700	
Curb weight(Non-load)	kg	12500	
ENGINE			
Battery(Voltage/Capacity)	V/Ah	(12/90)x2	
Engine(Model)	—	XinChai6110	
Engine(Rated power)	kW/r.p.m	83/2000	
Engine(Rated torque)	N.m/r.p.m	450/1450	
Engine(Cylinder amount)	mm	110×125	
Engine(Bore × Stroke)	—	6	
Engine(Displacement)	L	7.127	
Fuel tank	L	140	
Transmission	—	2/2 Manual Shift	
Working pressure	MPa	20	
STANDARD CONFIGURATION		OPTIONS	ATTACHMENT
Wideview mast Standard fork Backrest Overhead guard Oil pressure indicator Rearview mirror Timer Fuel Gauge Air intake system Oil scale in torque Double filter	2 piece multi valve Tornado air filter Speed limit valve Handle Toolbox Rubber pad Traction pin Electric Horn Standard seat Parking brake High exhaust	Adjustable steering wheel Lifting & tilting handle Water temperature gauge Hydraulic oil level gauge Hydraulic oil return filter R/r spring rod for hood Durable pneumatic tire Turning signal Engine flameout device Hydraulic powered steering Double front tire and protector	<input type="checkbox"/> Side shifter <input type="checkbox"/> Fork positioner <input type="checkbox"/> Hinged fork <input type="checkbox"/> Carpet boom <input type="checkbox"/> Extended fork <input type="checkbox"/> Fork cover <input type="checkbox"/> Lifting boom <input type="checkbox"/> Paper roll clamp <input type="checkbox"/> Bale clamp <input type="checkbox"/> Rotator <input type="checkbox"/> Luxury seat <input type="checkbox"/> Cab <input type="checkbox"/> Heater <input type="checkbox"/> Fork cover <input type="checkbox"/> Solid tyre <input type="checkbox"/> Windshield <input type="checkbox"/> Oil-bath double filter(on overheadguard) <input type="checkbox"/> Rotary work alarming light <input type="checkbox"/> Exhaust smoke purification muffler <input type="checkbox"/> Two/three stage full-free mast <input type="checkbox"/> Fire extinguishing muffler <input type="checkbox"/> Barrel clamp <input type="checkbox"/> Tipping fork and bucket

The company reserve the right for specification change; Should any revision on specification, a further notice shall prevail.